

## DSP6030P DSP8050P

### Commercial Weather-Resistant Pendant Speaker



DSP6030P



DSP8050P

#### Description

This 8Ω pendant speaker features a dual-unit design for optimal sound performance, with adjustable power settings to accommodate a variety of applications. It delivers rich, balanced audio with high sensitivity and sound pressure, ensuring clear and consistent coverage even in challenging environments. The IP66 waterproof rating makes it durable for outdoor use. The DSP6030P offers three installation options — suspension, wall-mounting, and floor-standing — while the DSP8050P supports suspension only.

#### Features

- Type: 8 Ω constant- resistance speaker with a high- performance dual- unit structure for stable and efficient sound output.
- Power adjustment: Equipped with a power tap for flexible adjustment to meet power requirements across different applications.
- Frequency response: Wide frequency range delivers rich, balanced sound performance.
- Sensitivity: High sensitivity ensures efficient sound reproduction even with low input power.
- Sound pressure level: High SPL provides clear, powerful audio output, ensuring more uniform coverage even in noisy environments.
- Weather protection: IP66 waterproof rating makes it suitable for outdoor and harsh environments.

#### Specifications

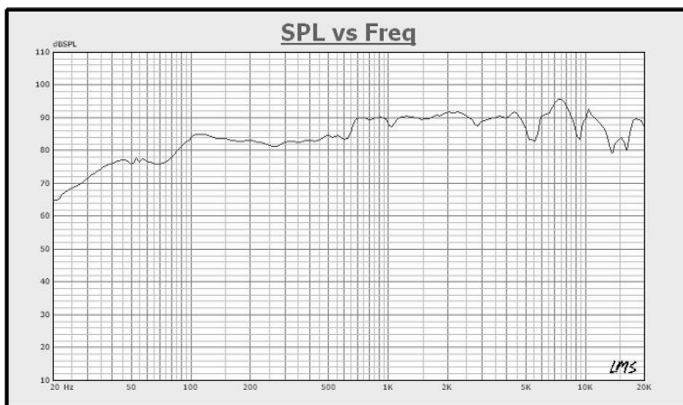
Model	DSP6030P	DSP8050P
Tweeter	1" (25mm) silk soft dome	1" (25mm) silk soft dome
Woofers	6.5" (165mm) graphite cone, rubber surround	8" (203mm) graphite cone, rubber surround
Frequency Range +/-3 Power	47Hz-20kHz	37Hz-20kHz

RMS	40W	50W
Sensitivity	85dB	86dB
Taps	8Ω, 0, 40W, 20W, 10W, 5W	8Ω, 0, 50W, 25W, 12.5W, 6.25W
Impedance	8 ohms	8 ohms
Coverage Angle	55°×55° (tested under free-field conditions with a 2.83V pink noise signal at a distance of 1 meter)	70°×75° (tested under free-field conditions with a 2.83V pink noise signal at a distance of 1 meter)
Termination	Pluggable terminal blocks	Pluggable terminal blocks
Attachment	Safety rope	Safety rope
Dimensions (H*W)	282mm×214mm	375mm×253.4mm
Certifications	IP66 waterproof speaker	IP66 waterproof speaker
Material	PP	PP

## Technical Parameters

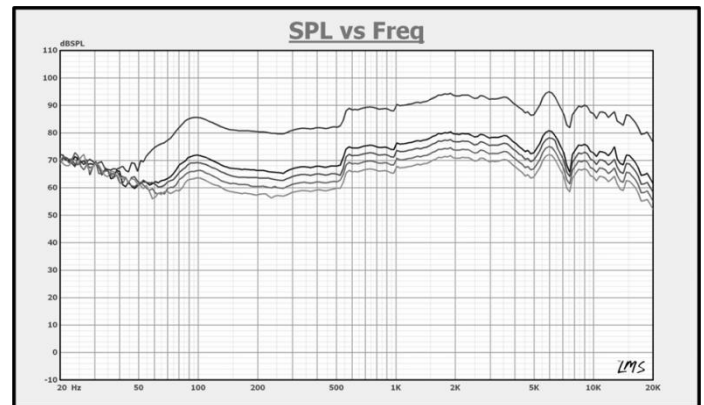
**DSP6030P**

Frequency Response (dB SPL, 1W, 1m)

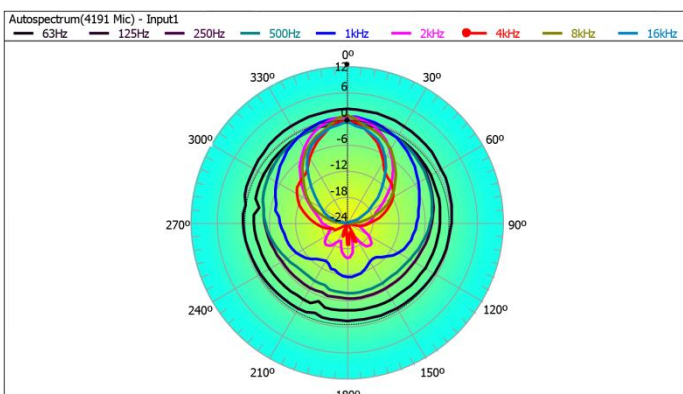


**DSP8050P**

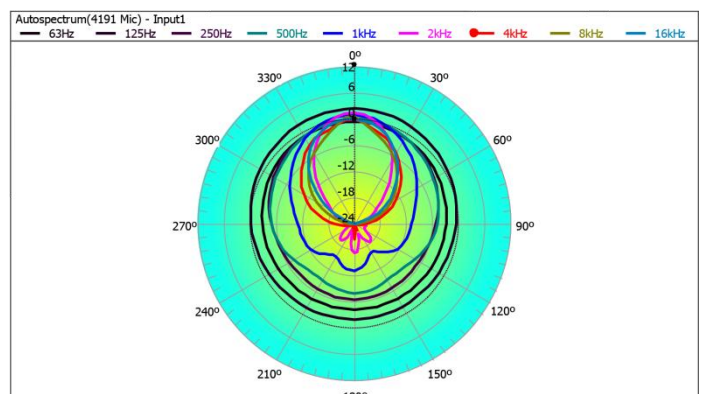
Frequency Response (dB SPL, 1W, 1m)



**DSP6030P**  
Directivity Curve

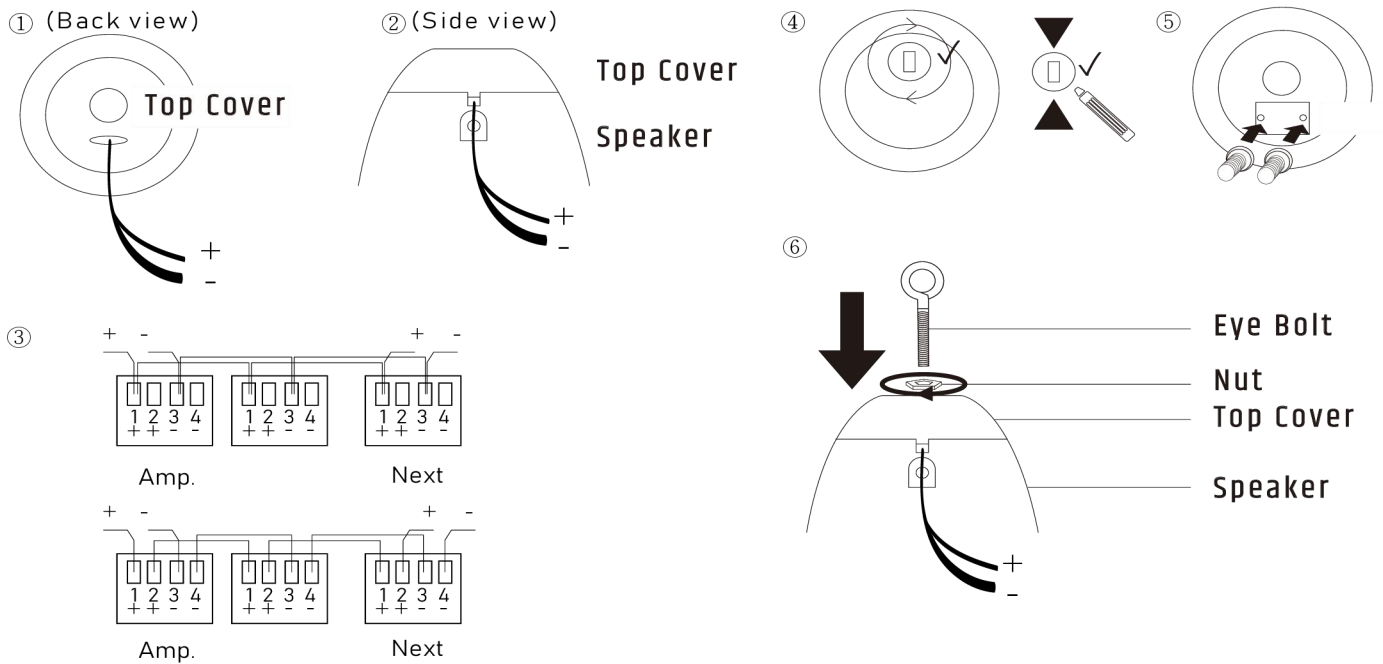


**DSP8050P**  
Directivity Curve

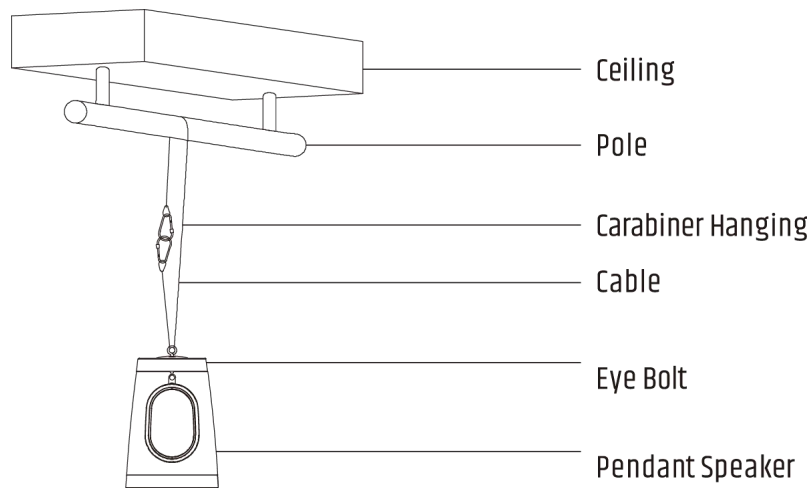


**Note:** As shown above, the DSP6030P has a measured coverage angle of 55°×55° and the DSP8050P has a measured coverage angle of 70°×75°, both tested under free-field conditions with a 2.83V pink noise signal at a distance of 1 meter.

## Speaker Connection



## Hanging Information



**Note:** Make sure the speaker is properly secured to the ceiling / building's structure. Please use the proper screws, bolts, or anchors (not included). Failure to do so may cause the speaker to become unsecured and cause potential damages/injuries.